

Decontamination shower

Wet and mist shower for the protection of persons and environmental protection

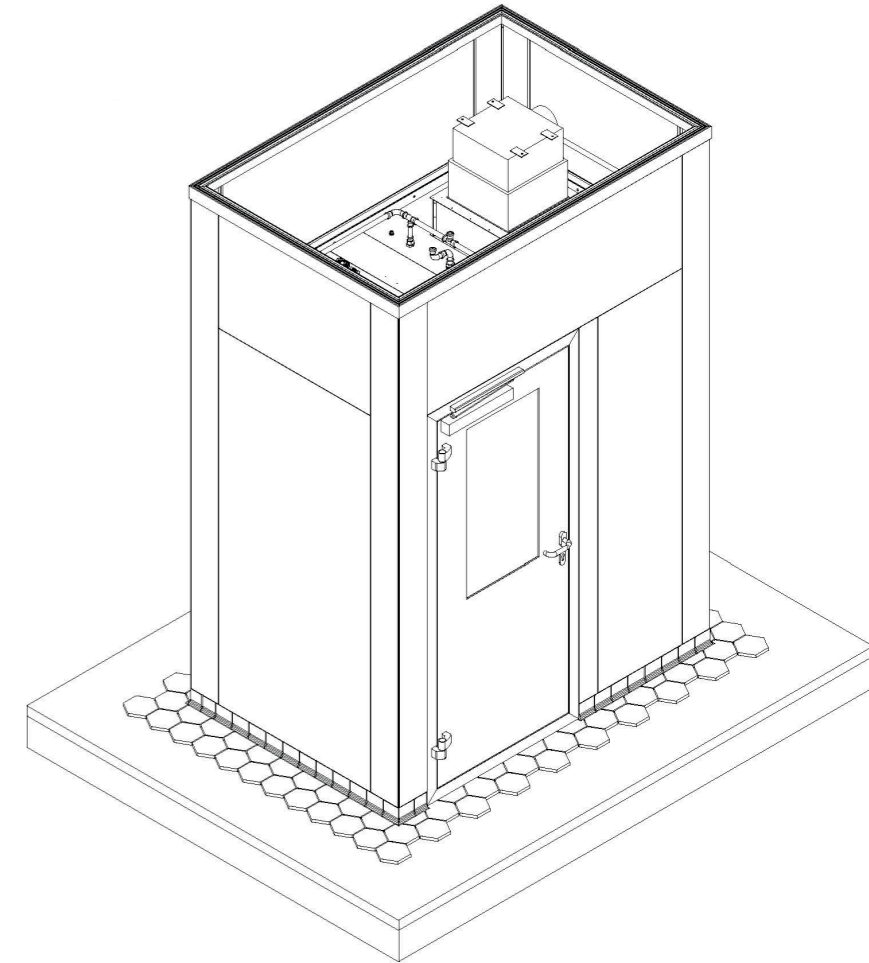


Accessories and components



Functional principle:

- The programme sequence is precisely defined in a functional description according to the application-specific requirements.
- This has a significant influence on the control system and all assemblies.
- Basically, the focus is on personnel decontamination is in the foreground. But also cabin cleaning, cabin cleaning, foot sole cleaning, emergency shower function, hand shower etc. may also be useful or even necessary for the process.
- The cleaning cycle or the entire process is set.
- If the decontamination shower is integrated into an airlock area, the door interlocks are combined into a functioning airlock control concept.



As a manufacturer and system supplier **clean-tek** has a large number of self-developed cleanroom solutions that are optimally matched to each other and are all characterised by a maximum of modularity. The decontamination shower bundles the synergy effect of our components and prevents contamination carry-over when handling active and hazardous substances.

It is suitable for the safe and evacuation of persons from special risk areas.

As a wet shower, the user is immersed in water through special nozzles so that airborne particles or particles adhering to the protective suit are bound with water. This effective cleansing of the cleaning of the personnel ensures a controlled exit from the risk area.

Areas of application:

The **clean-tek** decontamination shower is especially suitable for the handling of:

- Active pharmaceutical ingredients (API)
- Chemicals and
- Explosives

such as those found in the

- Pharmacy
- Chemical industry
- Laboratory areas
- Bio Safety Labs (BSL)
- EX areas

Features and benefits:

- Reliably protects staff and the environment from contamination from risk areas.
- Proven clean-tek system. The decontamination shower consists of a variety of proven clean-tek products which are optimally matched to each other.
- No interface problems. As a system supplier we offer the containment in addition to the decontamination shower.
- This avoids colour discrepancies between the containment and the decontamination shower.
- Any type of floor connection can be implemented. Whether epoxy, pharmaceutical terrazzo, tile coving or PVC flooring in the surrounding cleanroom: any connection can be handled.
- All parameters are freely adjustable. (Flushing times, locking times, etc.)
- Individual design. We always adapt our decontamination shower specifically to your requirements.

Decontamination shower

Construction:

The decontamination shower is planned and manufactured individually for each application.

Using individual modular components, a suitable shower can be designed for every requirement.

After testing and acceptance (FAT), the decontamination shower is integrated into the existing cleanroom system on the customer's ready for use.

Essential components:

Wall and ceiling system:

Depending on the application, the appropriate material is selected.

Colour aspects are also taken into account.

Access doors:

The doors are also designed individually for each project. Features can be designed differently.

The number of doors can vary.

Often gas-tight door systems are also required.

Shower tray:

Depending on the installation situation, the decontamination shower can be entered at ground level or by means of steps. This influences the design of the shower tray.

Control and function:

The cleaning functions and processes can be designed in different ways.

The programme sequence can include:

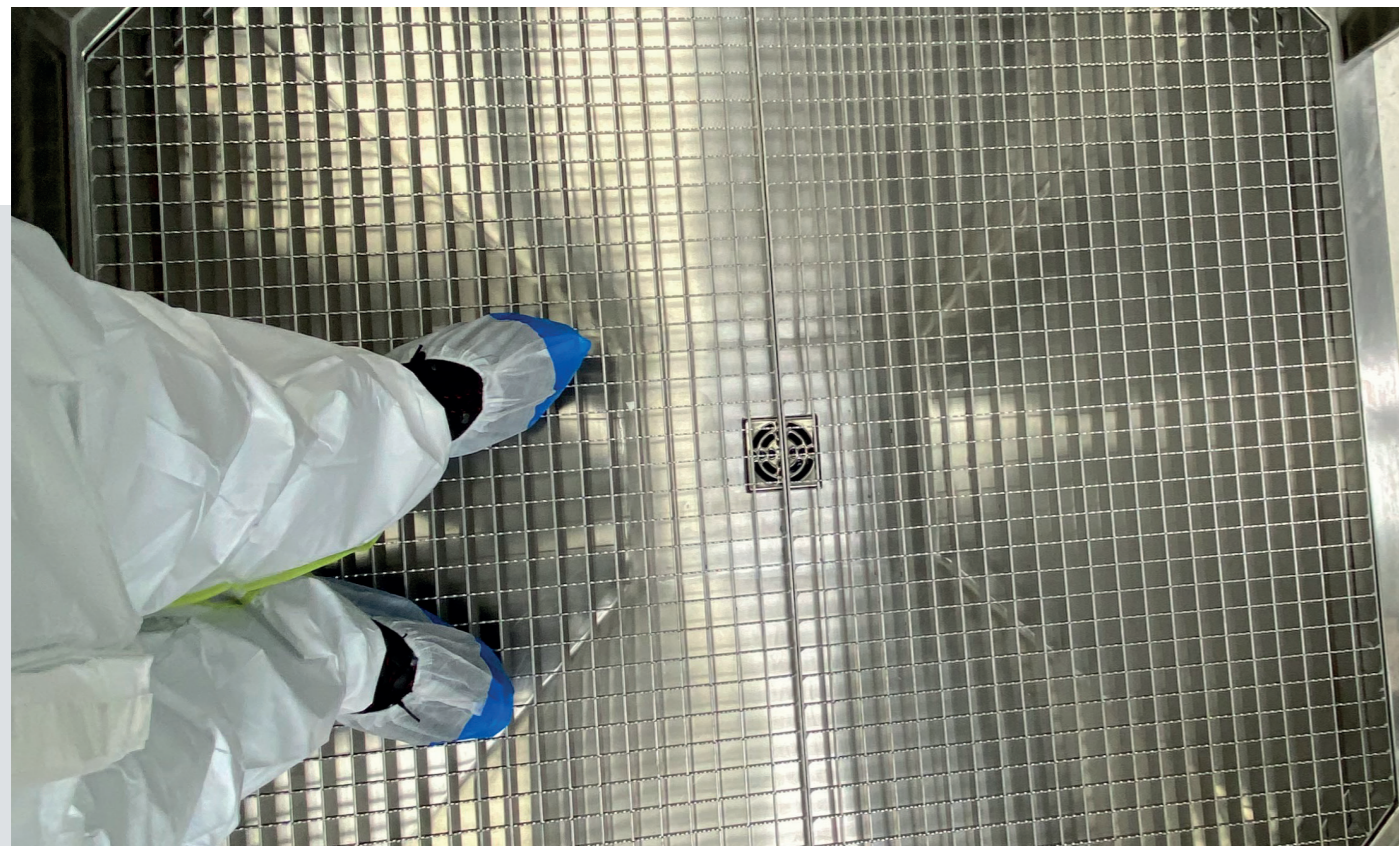
- Personal cleaning
- Foot sole cleaning
- Cabin cleaning
- Detergent admixture
- Residual water drainage of the pipes

Ventilation concept:

The ventilation is also planned and executed individually.

Classically, supply and exhaust air are integrated.

However, recirculation concepts or overflow are often integrated as well.



clean-tek®

Technical data:

Material inside	Stainless steel 1.4301 (V2A) Stainless steel 1.4401 (V4A) Sheet thicknesses 0.8 - 1.5 mm
Material outside	Galvanised sheet steel Stainless steel 1.4301 (V2A) Stainless steel 1.4401 (V4A) Aluminium
Colour for material outside	Standard RAL 9010 Other RAL colours on request
Coating	Stove enamel as coil coating or Powder coating
Functionality	Mist shower (small amounts of water) Wet shower (larger quantities of water)
Function modes	Personal decontamination Cabin cleaning Foot sole cleaning Hand showers Residual water drainage of the piping Individual designs on request
Dimensions	Freely selectable according to requirements Usually: 1.3 x 1.3 m
Equipment	Lighting Supply air incl. filter Exhaust air, optionally with filter Shower tray with grating Control cabinet Hydraulic cabinet
Technically recognised rules of technology	According to Machinery Directive 2006/42/EC Design for EX-area convertible Certification of individual components

Options:

- Foot sole cleaning
- Bag-out port
- Breathing air port
- Monitoring device
- Airlock integration
- Three doors



Clean-tek stands for first-class cleanroom technology from our own production.

As a pioneer in cleanroom technology, **clean-tek** has played a key role in shaping the development of modern cleanroom technology since 1986.

Tradition, innovation and experience are the values that still characterise **clean-tek** today and at the same time the key to constant growth and success.

Services

- Engineering, implementation and service of cleanroom systems
- Development of customised special solutions
- In-house production of all essential cleanroom components
- Interface management during the entire project
- Consulting and training
- On request, delivery of turnkey cleanroom systems as a general contractor
- Consultation and training

Products

- Cleanroom ceiling systems
- Cleanroom wall systems
- Cleanroom door systems
- Laminar flow modules
- Weighing units and sampling cabins
- Decontamination showers
- Accessories and components among others:
 - Material pass-throughs
 - Lights
 - Filter fan unit

clean-tek Reinraumtechnik GmbH

Steinbeisstraße 4 · 71272 Renningen · Germany
Phone: +49 7159 / 9312-0 · info@clean-tek.de

clean-tek Reinraum- und Hospitaltechnik AG

Voltastraße 100 · 4056 Basel · Switzerland
Phone: +41 61 511 / 89-50 · info@clean-tek.ch